

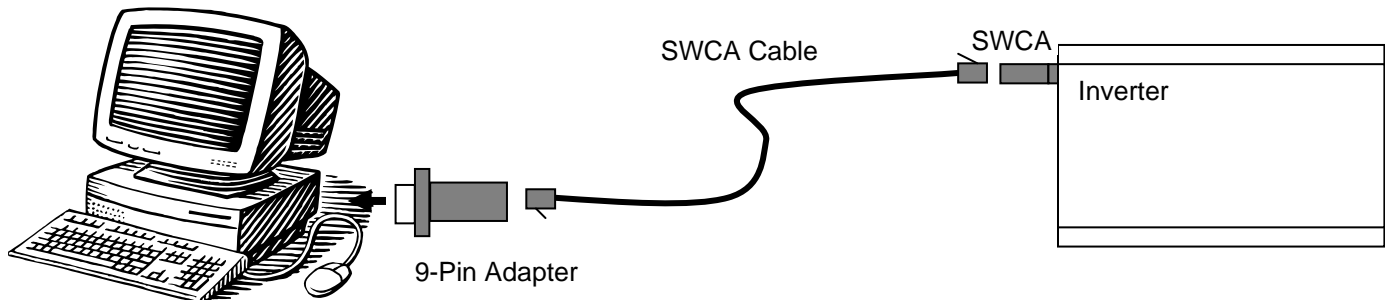


The *SWCA-II Communications Adapter* is designed to connect a Xantrex Trace™ SW-Series Inverter to a PC's RS-232 serial communications port. Although the *SWCA-II* is physically slightly different than the original Xantrex SWCA, it is electrically compatible in every way.

This document is meant guide you for a quick installation. For more details **please refer to the SWCA manual in Adobe PDF format on the product CDROM.**

INSTALLATION

Install the *SWCA-II* according to the following diagram.



1. Begin by plugging the *SWCA-II* (pictured in the photograph) into the "Remote" port of the inverter. To avoid the possibility of changing the inverter's mode unintentionally as you plug it in, it is recommended to park your inverter's front panel display on the Meter's menu. The green LED on the back of the *SWCA-II* should illuminate when it is plugged in. It is normal for the LED to turn off by itself within 1 to 3 minutes if no PC software is communicating with the device.

NOTE: there are two connectors adjacent to each other on the side of the inverter, and the *SWCA-II* will fit into either of them. It **MUST** be connected **ONLY** into the connector labeled "Remote".

2. Connect the supplied 9-pin adapter into the serial com port of your PC.
3. Connect the supplied 25-foot (6 meter) telephone-style cable between the *SWCA-II* and the 9-pin adapter. If the cable is not long enough, please see the document named Connection Options in the Downloads page of the www.RightHandEng.com web site.
4. Install the software that you intend to use for communicating with the inverter (such as RightHand Engineering's *WinVerter* Series). The enclosed CDROM contains our *WinVerter-Control SW* freeware compatible with most Windows-based PCs.
5. For most installations, the default settings of the software should allow the software to immediately begin communicating with the inverter via the *SWCA-II*. However, if it does not begin communicating, please read the documentation included on the CDROM. If you still have problems, please download and read the document named Com Port Troubleshooting from the Downloads page of the www.RightHandEng.com web site.